



Commercial Fitting System - ZNPA189

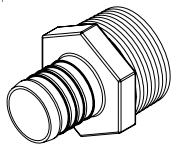
New Product Announcement

August 2008

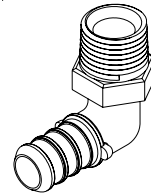
Zurn® has recently added DZR brass fittings to the product line. These fittings are intended for large diameter tubing sizes ranging from (1-1/4" and 1-1/2"). The fitting system is comprised of couplings, thread x barb adapters, sweat x barb adapters, elbows, tees, and plugs. The couplings can be used to repair damaged tubing or transition to different tube sizes. The threaded adapters are used to transition from PEX to a female NPT thread. The sweat adapters are used to transition from PEX to copper tubing. Elbows are used to make 90° bends that are tighter than the recommended bend. The tee fittings are used to branch off a main line or reduce a main line to a smaller branch line. The product offering includes the following items:



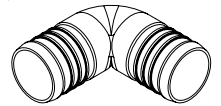
QQC__X



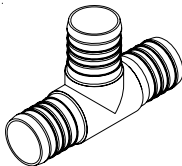
QQMC__X



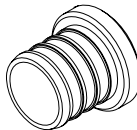
QQE_BT_X



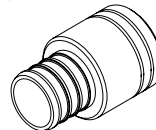
QQE__X



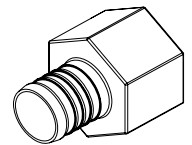
QQT__X



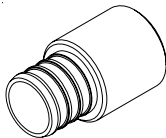
QQP__X



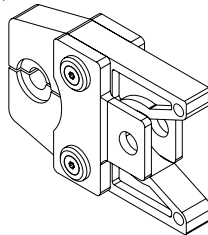
QQ__X



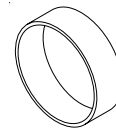
QQUFC__X



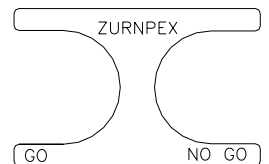
QQ__X



QBJ__X



QCR__X



QGA__

Contact your local distributor or sales representative for additional information



Commercial Fitting System - ZNPA189

New Product Announcement

August 2008

List Pricing Sheet

Part Number	Description	Price List	Availability	Category
QQT654DZX	1-1/4" Barb x 1" Barb x 3/4" Barb Tee	\$19.49	10/15/2008	12
QQT655DZX	1-1/4" Barb x 1" Barb x 1" Barb Tee	\$21.89	In Stock	12
QQT663DZX	1-1/4" Barb x 1-1/4" Barb x 1/2" Barb Tee	\$20.44	In Stock	12
QQT664DZX	1-1/4" Barb x 1-1/4" Barb x 3/4" Barb Tee	\$22.73	In Stock	12
QQT665DZX	1-1/4" Barb x 1-1/4" Barb x 1" Barb Tee	\$25.14	In Stock	12
QQT666DZX	1-1/4" Barb x 1-1/4" Barb x 1-1/4" Barb Tee	\$25.14	In Stock	12
QQT754DZX	1-1/2" Barb x 1" Barb x 3/4" Barb Tee	\$27.20	10/15/2008	12
QQT755DZX	1-1/2" Barb x 1" Barb x 1" Barb Tee	\$27.43	In Stock	12
QQT764DZX	1-1/2" Barb x 1-1/4" Barb x 3/4" Barb Tee	\$29.00	10/15/2008	12
QQT765DZX	1-1/2" Barb x 1" Barb x 1" Barb Tee	\$28.60	In Stock	12
QQT773DZX	1-1/2" Barb x 1-1/2" Barb x 1/2" Barb Tee	\$25.82	10/15/2008	12
QQT774DZX	1-1/2" Barb x 1-1/2" Barb x 3/4" Barb Tee	\$26.78	10/15/2008	12
QQT775DZX	1-1/2" Barb x 1-1/2" Barb x 1" Barb Tee	\$26.78	In Stock	12
QQT776DZX	1-1/2" Barb x 1-1/2" Barb x 1-1/4" Barb Tee	\$28.60	In Stock	12
QQT777DZX	1-1/2" Barb x 1-1/2" Barb x 1-1/2" Barb Tee	\$30.68	In Stock	12
QQE66DZX	1-1/4" Barb x 1-1/4" Barb Elbow	\$21.05	In Stock	12
QQE77DZX	1-1/2" Barb x 1-1/2" Barb Elbow	\$27.55	In Stock	12
QQC64DZX	1-1/4" Barb x 3/4" Barb Coupling	\$10.61	In Stock	12
QQC65DZX	1-1/4" Barb x 1" Barb Coupling	\$10.70	In Stock	12
QQC66DZX	1-1/4" Barb x 1-1/4" Barb Coupling	\$10.84	In Stock	12
QQC74DZX	1-1/2" Barb x 3/4" Barb Coupling	\$16.85	10/15/2008	12
QQC75DZX	1-1/2" Barb x 1" Barb Coupling	\$17.57	In Stock	12
QQC76DZX	1-1/2" Barb x 1-1/4" Barb Coupling	\$18.06	In Stock	12
QQC77DZX	1-1/2" Barb x 1-1/2" Barb Coupling	\$18.53	In Stock	12
QQP6DZX	1-1/4" Barb Plug	\$6.66	In Stock	12
QQP7DZX	1-1/2" Barb Plug	\$8.18	In Stock	12
QQ812DZX	1-1/4" Female Sweat x 1-1/4" PEX Barb	\$10.82	In Stock	12
QQ950DZX	1-1/2" Female Sweat x 1-1/2" PEX Barb	\$18.90	In Stock	12
QQ712DZX	1-1/4" Male Sweat x 1-1/4" PEX Barb	\$14.35	In Stock	12
QQ900DZX	1-1/2" Male Sweat x 1-1/2" PEX Barb	\$19.74	In Stock	12
QQE46BTDZX	3/4" Barb x 1-1/4" MPT Elbow	\$24.09	In Stock	12
QQE56BTDZX	1" Barb x 1-1/4" MPT Elbow	\$24.42	In Stock	12
QQE66BTDZX	1-1/4" Barb x 1-1/4" MPT Elbow	\$26.05	In Stock	12
QQMC65DZX	1-1/4" Barb x 1" MPT Adapter	\$14.49	In Stock	12
QQMC66DZX	1-1/4" Barb x 1-1/4" MPT Adapter	\$17.99	In Stock	12
QQMC77DZX	1-1/2" Barb x 1-1/2" MPT Adapter	\$18.11	In Stock	12
QQUFC66DZX	1-1/4" Barb x 1-1/4" FPT	\$20.09	In Stock	12
QQUFC77DZX	1-1/2" Barb x 1-1/2" FPT	\$34.70	In Stock	12
QCR7X	1-1/2" Copper Crimp Ring	\$2.24	In Stock	13
QBJ7	1-1/2" Crimp Head	\$430.00	In Stock	13
QGA7	1-1/2" Copper Crimp Gauge	\$8.00	In Stock	13
Q7PS20X	1-1/2" Nominal PEX Tube-20' Straight Length	\$107.75	In Stock	1
Q7PC100X	1-1/2" Nominal PEX Tube-100' Coil	\$538.75	In Stock	1
Q7PC300X	1-1/2" Nominal PEX Tube-300' Coil	\$1,616.25	In Stock	1

Contact your local distributor or sales representative for additional information

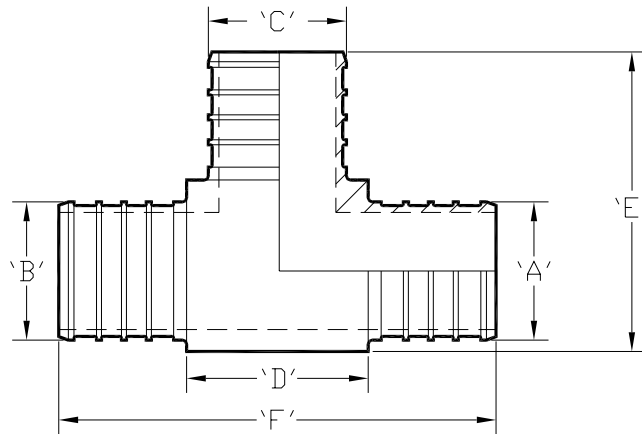


DZR Brass Tee QQT___DZX

Specification Sheet

Tag _____

Dimensional Data: Inches and [mm] are subject to manufacturing tolerances and change without notice.



Part Number	Description	'A'	'B'	'C'	'D'	'E'	'F'
QQT654DZX	1-1/4" Barb x 1" Barb x 3/4" Barb Tee	1.045" [26.5]	0.856" [21.7]	0.667" [16.9]	0.88" [22.3]	1.94" [49.3]	2.83" [71.9]
QQT655DZX	1-1/4" Barb x 1" Barb x 1" Barb Tee	1.045" [26.5]	0.856" [21.7]	0.856" [21.7]	1.13" [28.7]	2.11" [53.6]	3.08" [78.2]
QQT663DZX	1-1/4" Barb x 1-1/4" Barb x 1/2" Barb Tee	1.045" [26.5]	1.045" [26.5]	0.471" [12.0]	0.63" [16.0]	1.94" [49.3]	2.93" [74.4]
QQT664DZX	1-1/4" Barb x 1-1/4" Barb x 3/4" Barb Tee	1.045" [26.5]	1.045" [26.5]	0.667" [16.9]	0.88" [22.4]	1.94" [49.3]	3.30" [83.8]
QQT665DZX	1-1/4" Barb x 1-1/4" Barb x 1" Barb Tee	1.045" [26.5]	1.045" [26.5]	0.856" [21.7]	1.13" [28.7]	2.11" [53.6]	3.43" [87.1]
QQT666DZX	1-1/4" Barb x 1-1/4" Barb x 1-1/4" Barb Tee	1.045" [26.5]	1.045" [26.5]	1.045" [26.5]	1.50" [38.1]	2.46" [62.5]	3.80" [96.5]
QQT754DZX	1-1/2" Barb x 1" Barb x 3/4" Barb Tee	1.233" [31.3]	0.856" [21.7]	0.667" [16.9]	0.88" [22.3]	2.15" [54.6]	2.83" [71.9]
QQT755DZX	1-1/2" Barb x 1" Barb x 1" Barb Tee	1.233" [31.3]	0.856" [21.7]	0.856" [21.7]	1.13" [28.7]	2.32" [58.9]	3.08" [78.2]
QQT764DZX	1-1/2" Barb x 1-1/4" Barb x 3/4" Barb Tee	1.233" [31.3]	1.045" [26.5]	0.667" [16.9]	0.88" [22.3]	2.15" [54.6]	3.18" [80.8]
QQT765DZX	1-1/2" Barb x 1-1/4" Barb x 1" Barb Tee	1.233" [31.3]	1.045" [26.5]	0.856" [21.7]	1.13" [28.7]	2.32" [58.9]	3.43" [87.1]
QQT773DZX	1-1/2" Barb x 1-1/2" Barb x 1/2" Barb Tee	1.233" [31.3]	1.233" [31.3]	0.471" [12.0]	0.63" [16.0]	2.15" [54.6]	2.93" [74.4]
QQT774DZX	1-1/2" Barb x 1-1/2" Barb x 3/4" Barb Tee	1.233" [31.3]	1.233" [31.3]	0.667" [16.9]	0.88" [22.3]	2.15" [54.6]	3.18" [80.8]
QQT775DZX	1-1/2" Barb x 1-1/2" Barb x 1" Barb Tee	1.233" [31.3]	1.233" [31.3]	0.856" [21.7]	1.13" [28.7]	2.32" [58.9]	3.40" [86.4]
QQT776DZX	1-1/2" Barb x 1-1/2" Barb x 1-1/4" Barb Tee	1.233" [31.3]	1.233" [31.3]	1.045" [26.5]	1.50" [38.1]	2.68" [38.1]	3.80" [96.5]
QQT777DZX	1-1/2" Barb x 1-1/2" Barb x 1-1/2" Barb Tee	1.233" [31.3]	1.233" [31.3]	1.233" [31.3]	1.75" [44.5]	2.68" [38.1]	4.05" [102.9]

Engineering Specification: ZurnPEX™ DZR brass barb tee. The QQT___DZX is used to branch off the main line or change direction. Large diameter fittings are made with dezincification resistant brass. These fittings, as a system with Zurn PEX tubing, are pressure rated at 160 PSI at 73°F, 100 PSI at 180°F, and 80 PSI at 200°F. These fittings are listed by NSF as complying with the following standards: NSF/ANSI Standard 14, NSF/ANSI Standard 16, ASTM F877, and CSA B137.5.

Accessories

- ___ **QCLP3X** 1/2" QuickClamp Crimp Ring
- ___ **QCLP4X** 3/4" QuickClamp Crimp Ring
- ___ **QCLP5X** 1" QuickClamp Crimp Ring
- ___ **QCR3X** 1/2" Copper Crimp Ring
- ___ **QCR4X** 3/4" Copper Crimp Ring
- ___ **QCR5X** 1" Copper Crimp Ring
- ___ **QCR6X** 1-1/4" Copper Crimp Ring
- ___ **QCR7X** 1-1/2" Copper Crimp Ring

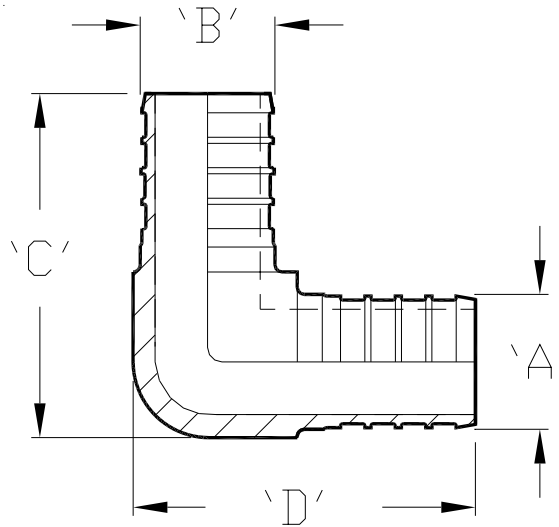
Rev.	Date: 6/20/08	C.N. No.98650
Dwg. No. 83803	Prod. No. QQT___DZX	



DZR Brass Elbow QQE__DZX Specification Sheet

Tag _____

Dimensional Data: Inches and [mm] are subject to manufacturing tolerances and change without notice.



Part Number	Description	'A'	'B'	'C'	'D'
QQE66DZX	1-1/4" Barb x 1-1/4" Barb Elbow	1.045" [26.5]	1.045" [26.5]	2.46" [62.5]	2.46" [62.5]
QQE77DZX	1-1/2" Barb x 1-1/2" Barb Elbow	1.233" [31.3]	1.233" [31.3]	2.68" [68.1]	2.68" [68.1]

Engineering Specification: ZurnPEX™ DZR brass barb elbow. The QQE__DZX is used to make sharp 90° bends. Large diameter fittings are made with dezincification resistant brass. These fittings, as a system with Zurn PEX tubing, are pressure rated at 160 PSI at 73°F, 100 PSI at 180°F, and 80 PSI at 200°F. These fittings are listed by NSF as complying with the following standards: NSF/ANSI Standard 14, NSF/ANSI Standard 16, ASTM F877, and CSA B137.5.

Accessories

- ___ **QCR6X** 1-1/4" Copper Crimp Ring
- ___ **QCR7X** 1-1/2" Copper Crimp Ring

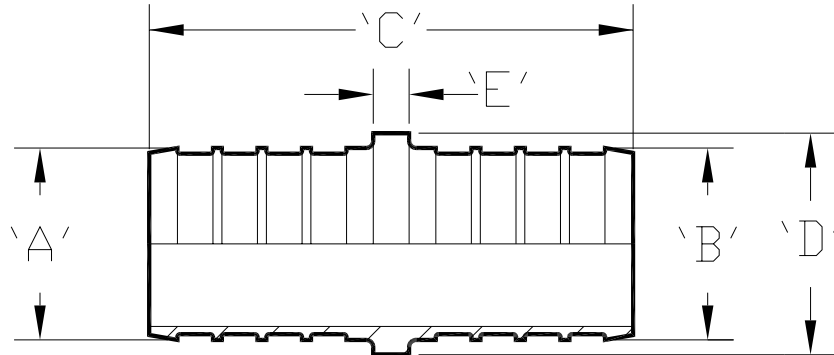
Rev.	Date: 6/20/08	C.N. No.98652
Dwg. No. 83804	Prod. No. QQE__DZX	



DZR Brass Coupling QQC__DZX Specification Sheet

Tag _____

Dimensional Data: Inches and [mm] are subject to manufacturing tolerances and change without notice.



Part Number	Description	'A'	'B'	'C'	'D'	'E'
QQC64DZX	1-1/4" Barb x 3/4" Barb Coupling	1.045" [26.5]	0.667" [16.9]	2.03" [51.6]	1.12" [28.4]	0.25" [6.4]
QQC65DZX	1-1/4" Barb x 1" Barb Coupling	1.045" [26.5]	0.856" [21.7]	2.20" [51.6]	1.12" [28.4]	0.25" [6.4]
QQC66DZX	1-1/4" Barb x 1-1/4" Barb Coupling	1.045" [26.5]	1.045" [26.5]	2.55" [64.8]	1.12" [28.4]	0.25" [6.4]
QQC74DZX	1-1/2" Barb x 3/4" Barb Coupling	1.233" [31.3]	0.667" [16.9]	2.03" [51.6]	1.30" [33.0]	0.25" [6.4]
QQC75DZX	1-1/2" Barb x 1" Barb Coupling	1.233" [31.3]	0.856" [21.7]	2.20" [51.6]	1.30" [33.0]	0.25" [6.4]
QQC76DZX	1-1/2" Barb x 1-1/4" Barb Coupling	1.233" [31.3]	1.045" [26.5]	2.55" [64.8]	1.30" [33.0]	0.25" [6.4]
QQC77DZX	1-1/2" Barb x 1-1/2" Barb Coupling	1.233" [31.3]	1.233" [31.3]	2.55" [64.8]	1.30" [33.0]	0.25" [6.4]

Engineering Specification: ZurnPEX™ DZR brass barb coupling. The QQC__DZX is used to connect two separate pieces of PEX tubing. Large diameter fittings are made with dezincification resistant brass. These fittings, as a system with Zurn PEX tubing, are pressure rated at 160 PSI at 73°F, 100 PSI at 180°F, and 80 PSI at 200°F. These fittings are listed by NSF as complying with the following standards: NSF/ANSI Standard 14, NSF/ANSI Standard 16, ASTM F877, and CSA B137.5.

Accessories

- ___ **QCLP4X** 3/4" QuickClamp Crimp Ring
- ___ **QCLP5X** 1" QuickClamp Crimp Ring
- ___ **QCR4X** 3/4" Copper Crimp Ring
- ___ **QCR5X** 1" Copper Crimp Ring
- ___ **QCR6X** 1-1/4" Copper Crimp Ring
- ___ **QCR7X** 1-1/2" Copper Crimp Ring

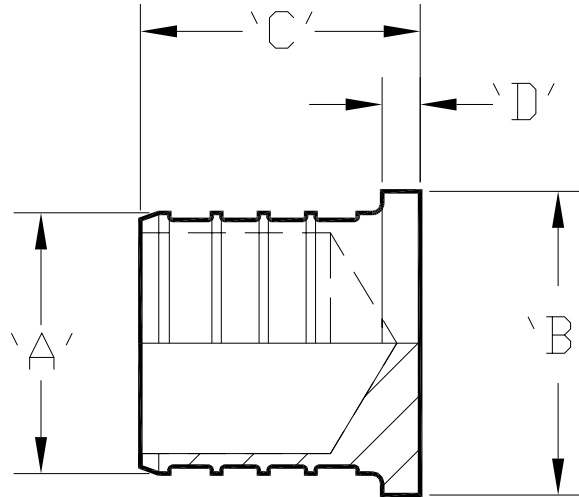
Rev.	Date: 06/20/08	C.N. No.98653
Dwg. No. 83805	Prod. No. QQC__DZX	



DZR Brass Plug QQP_DZX Specification Sheet

Tag _____

Dimensional Data: Inches and [mm] are subject to manufacturing tolerances and change without notice.



Part Number	Description	'A'	'B'	'C'	'D'
QQP6DZX	1-1/4" Barb Plug	1.045" [26.5]	1.38" [35.1]	1.40" [35.6]	0.25" [6.4]
QQP7DZX	1-1/2" Barb Plug	1.233" [31.3]	1.63" [41.4]	1.40" [35.6]	0.25" [6.4]

Engineering Specification: ZurnPEX™ DZR brass plug. The QQP_DZX allows for pressure testing of the system. Large diameter fittings are made with dezincification resistant brass. These fittings, as a system with Zurn PEX tubing, are pressure rated at 160 PSI at 73°F, 100 PSI at 180°F, and 80 PSI at 200°F. These fittings are listed by NSF as complying with the following standards: NSF/ANSI Standard 14, NSF/ANSI Standard 16, ASTM F877, and CSA B137.5.

Accessories

- **QCR6X** 1-1/4" Copper Crimp Ring
- **QCR7X** 1-1/2" Copper Crimp Ring

Rev.	Date: 06/20/08	C.N. No. 98655
Dwg. No. 83806		Prod. No. QQP_DZX

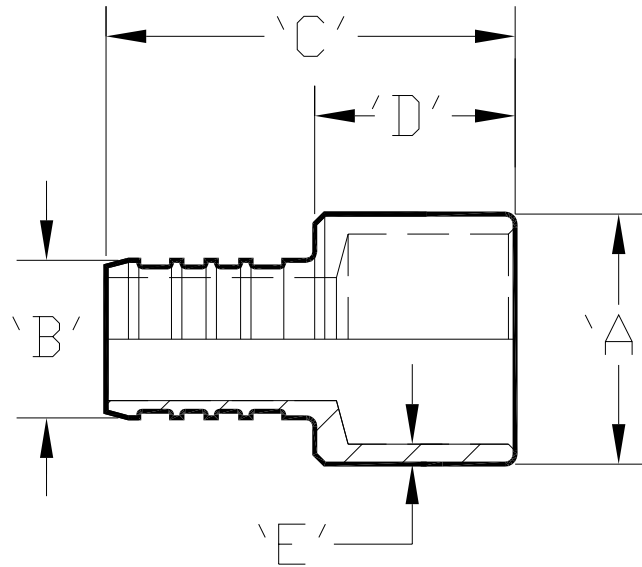


DZR Brass Female Sweat X PEX Adapter QQ__DZX

Specification Sheet

Tag _____

Dimensional Data: Inches and [mm] are subject to manufacturing tolerances and change without notice.



Part Number	Description	'A'	'B'	'C'	'D'	'E'
QQ812DZX	1-1/4" Female Sweat x 1-1/4" PEX Barb	1.58" [40.1]	1.045" [26.5]	2.22" [55.9]	1.07" [27.2]	0.10" [2.5]
QQ950DZX	1-1/2" Female Sweat x 1-1/2" PEX Barb	1.87" [47.5]	1.233" [31.3]	2.37" [68.2]	1.22" [31.0]	0.12" [3.0]

Engineering Specification: ZurnPEX™ DZR brass female sweat x ZurnPEX adapter. The QQ__DZX adapter solders directly to copper tubing. The outer diameter of the QQ__X contains two grooves for easy identification. Large diameter fittings are made with dezincification resistant brass. These fittings, as a system with Zurn PEX tubing, are pressure rated at 160 PSI at 73°F, 100 PSI at 180°F, and 80 PSI at 200°F. These fittings are listed by NSF as complying with the following standards: NSF/ANSI Standard 14, NSF/ANSI Standard 16, ASTM F877, and CSA B137.5.

Accessories

- ___ **QCR6X** 1-1/4" Copper Crimp Ring
- ___ **QCR7X** 1-1/2" Copper Crimp Ring

Rev.	Date: 06/20/08	C.N. No. 98657
Dwg. No. 83807	Prod. No. QQ__DZX	

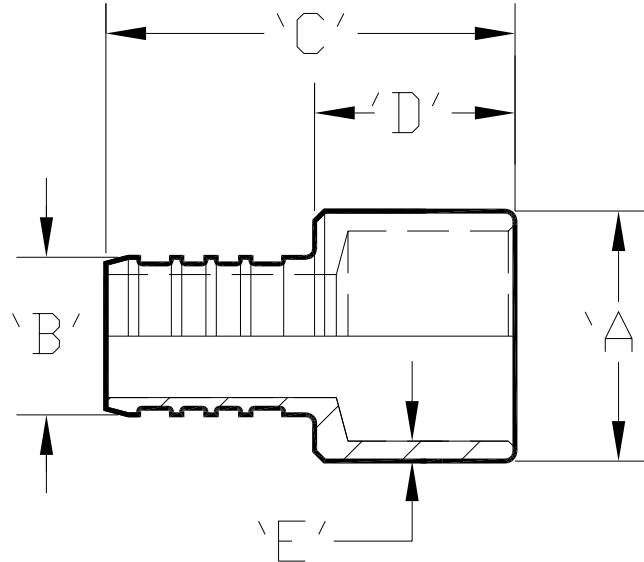


DZR Brass Male Sweat X PEX Adapter QQ___DZX

Specification Sheet

Tag _____

Dimensional Data: Inches and [mm] are subject to manufacturing tolerances and change without notice.



Part Number	Description	'A'	'B'	'C'	'D'	'E'
QQ712DZX	1-1/4" Male Sweat x 1-1/4" PEX Barb	1.37" [35.0]	1.045" [26.5]	2.35" [56.7]	1.20" [30.5]	0.10" [2.5]
QQ900DZX	1-1/2" Male Sweat x 1-1/2" PEX Barb	1.62" [41.2]	1.233" [31.3]	2.48" [63.0]	1.33" [33.8]	0.12" [3.0]

Engineering Specification: ZurnPEX™DZR brass male sweat x ZurnPEX adapters. The QQ___DZX adapter is made to fit inside a wrought copper fitting. Large diameter fittings are made with dezincification resistant brass. These fittings, as a system with Zurn PEX tubing, are pressure rated at 160 PSI at 73°F, 100 PSI at 180°F, and 80 PSI at 200°F. These fittings are listed by NSF as complying with the following standards: NSF/ANSI Standard 14, NSF/ANSI Standard 16, ASTM F877, and CSA B137.5.

Accessories

- ___ QCR6X 1-1/4" Copper Crimp Ring
- ___ QCR7X 1-1/2" Copper Crimp Ring

Rev.	Date: 6/20/08	C.N. No.98659
Dwg. No. 83808		Prod. No. QQ___DZX

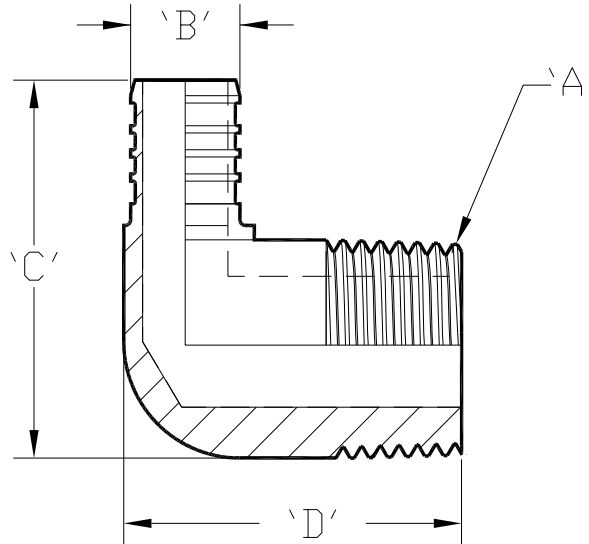


DZR Brass Elbow MPT x PEX Adapter QQE__BTDZX

Specification Sheet

Tag _____

Dimensional Data: Inches and [mm] are subject to manufacturing tolerances and change without notice.



Part Number	Description	'A'	'B'	'C'	'D'
QQE46BTDZX	3/4" Barb x 1-1/4" MPT Elbow	1-1/4 NPT	0.667" [16.9]	2.37" [60.2]	2.85" [72.4]
QQE56BTDZX	1" Barb x 1-1/4" MPT Elbow	1-1/4 NPT	0.856" [21.7]	2.67" [67.8]	3.35" [85.1]
QQE66BTDZX	1-1/4" Barb x 1-1/4" MPT Elbow	1-1/4 NPT	1.045" [26.5]	2.90" [73.7]	3.35" [85.1]

Engineering Specification: ZurnPEX™ DZR brass barb x MPT elbow. The QQE__BTDZX is used to make sharp 90° bends from PEX tubing to FPT. Large diameter fittings are made with dezincification resistant brass. These fittings, as a system with Zurn PEX tubing, are pressure rated at 160 PSI at 73°F, 100 PSI at 180°F, and 80 PSI at 200°F. These fittings are listed by NSF as complying with the following standards: NSF/ANSI Standard 14, NSF/ANSI Standard 16, ASTM F877, and CSA B137.5.

Accessories

- ___ **QCLP4X** 3/4" QuickClamp Crimp Ring
- ___ **QCLP5X** 1" QuickClamp Crimp Ring
- ___ **QCR4X** 3/4" Copper Crimp Ring
- ___ **QCR5X** 1" Copper Crimp Ring
- ___ **QCR6X** 1-1/4" Copper Crimp Ring

Rev.	Date: 6/20/08	C.N. No.98661
Dwg. No. 83810	Prod. No. QQE__BTDZX	

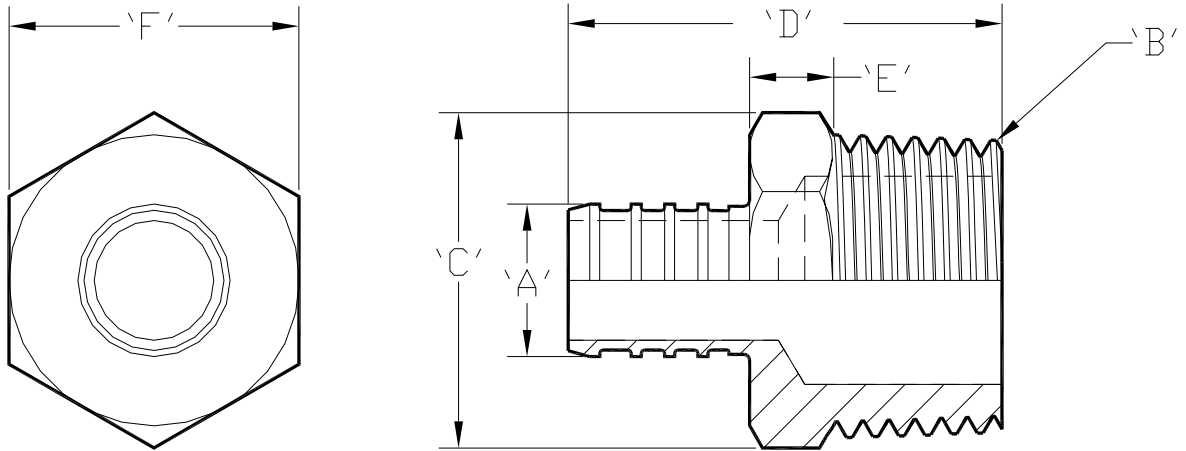


DZR Brass MPT x PEX Adapter QQMC__DZX

Specification Sheet

Tag _____

Dimensional Data: Inches and [mm] are subject to manufacturing tolerances and change without notice.



Part Number	Description	'A'	'B'	'C'	'D'	'E'	'F'
QQMC65DZX	1-1/4" Barb x 1" MPT Adapter	1.045" [26.5]	1" NPT	1.52" [38.6]	2.24" [56.9]	0.38" [9.7]	1.31" [33.3]
QQMC66DZX	1-1/4" Barb x 1-1/4" MPT Adapter	1.045" [26.5]	1-1/4" NPT	2.02" [51.3]	2.29" [58.2]	0.38" [9.7]	1.75" [44.5]
QQMC77DZX	1-1/2" Barb x 1-1/2" MPT Adapter	1.233" [31.3]	1-1/2" NPT	2.31" [58.6]	2.43" [61.7]	0.25" [6.35]	2.00" [50.8]

Engineering Specification: ZurnPEX™DZR brass MPT adapter. The QQMC__DZX is used transition from female pipe thread to PEX tubing. Large diameter fittings are made with dezincification resistant brass. These fittings, as a system with Zurn PEX tubing, are pressure rated at 160 PSI at 73°F, 100 PSI at 180°F, and 80 PSI at 200°F. These fittings are listed by NSF as complying with the following standards: NSF/ANSI Standard 14, NSF/ANSI Standard 16, ASTM F877, and CSA B137.5.

Accessories

- ___ **QCR6X** 1-1/4" Copper Crimp Ring
- ___ **QCR7X** 1-1/2" Copper Crimp Ring

Rev.	Date: 6/20/08	C.N. No. 98663
Dwg. No. 83812	Prod. No. QQMC__DZX	

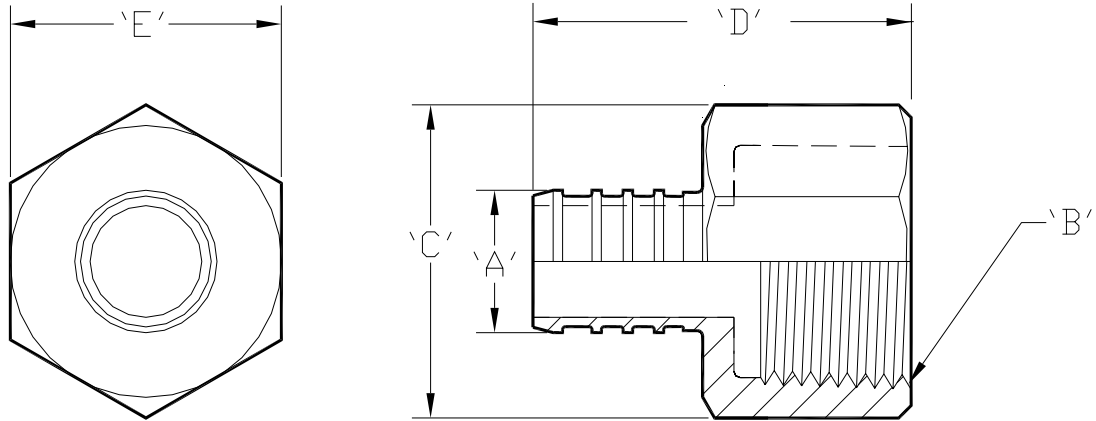


DZR Brass FPT x PEX Adapter QQUFC__DZX

Specification Sheet

Tag _____

Dimensional Data: Inches and [mm] are subject to manufacturing tolerances and change without notice.



Part Number	Description	'A'	'B'	'C'	'D'	'E'
QQUFC66DZX	1-1/4" Barb x 1-1/4" FPT	1.045" [26.5]	1-1/4" NPT	2.31" [58.7]	2.28" [57.9]	2.00" [50.8]
QQUFC77DZX	1-1/2" Barb x 1-1/2" FPT	1.233" [31.3]	1-1/2" NPT	2.60" [66.0]	2.30" [58.4]	2.25" [57.2]

Engineering Specification: ZurnPEX™ DZR brass barb x FPT adapter. The QQUFC__DZX is used to transition from a male pipe thread to PEX tubing. Large diameter fittings are made with dezincification resistant brass. These fittings, as a system with Zurn PEX tubing, are pressure rated at 160 PSI at 73°F, 100 PSI at 180°F, and 80 PSI at 200°F. These fittings are listed by NSF as complying with the following standards: NSF/ANSI Standard 14, NSF/ANSI Standard 16, ASTM F877, and CSA B137.5.

Accessories

- ___ **QCR6X** 1-1/4" Copper Crimp Ring
- ___ **QCR7X** 1-1/2" Copper Crimp Ring

Rev.	Date: 6/20/08	C.N. No. 98665
Dwg. No. 83814	Prod. No. QQUFC__DZX	

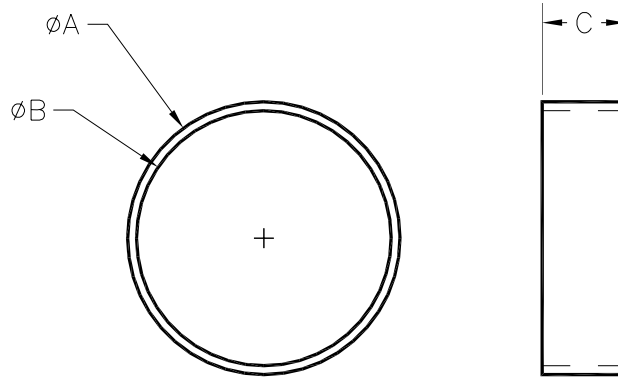


Annealed Copper Crimp Ring QCR_X

Specification Sheet

Tag _____

Dimensional Data: Inches and [mm] are subject to manufacturing tolerances and change without notice.



Part Number	Description	Nom inal Size	'A'	'B'	'C'
QCR2X	3/8" Copper Crimp Ring	3/8"	0.63" [16]	0.51" [13]	0.33" [8]
QCR3X	1/2" Copper Crimp Ring	1/2"	0.75" [19]	0.64" [16]	0.33" [8]
QCR4X	3/4" Copper Crimp Ring	3/4"	1.00" [25]	0.89" [22]	0.33" [8]
QCR5X	1" Copper Crimp Ring	1"	1.25" [32]	1.15" [29]	0.37" [8]
QCR6X	1-1/4" Copper Crimp Ring	1-1/4"	1.50" [38]	1.39" [35]	0.55" [14]
QCR7X	1-1/2" Copper Crimp Ring	1-1/2"	1.78" [45]	1.71" [43]	0.65" [17]

Engineering Specification: ZurnPEX™ annealed copper crimp ring. Used to secure ZurnPEX™ tubing to Zurn® Qick/Sert 1™ and QickSert CR™ fittings.

Accessories

___ QCRT2CM	3/8" Medium Crimp Tool
___ QCRT3CM	1/2" Medium Crimp Tool
___ QCRT4CM	3/4" Medium Crimp Tool
___ QCRT2T	3/8" Large Crimp Tool
___ QCRT3T	1/2" Large Crimp Tool
___ QCRT4T	3/4" Large Crimp Tool
___ QCRT5T	1" Large Crimp Tool
___ QCQT23N	3/8" and 1/2" Close Quarters Crimp Tool
___ QCQT34N	1/2" and 3/4" Close Quarters Crimp Tool
___ QGA234P	3/8", 1/2", 3/4" Go/No Go Crimp Guage
___ QGA5N	1" Go/No Go Crimp Guage
___ QGA6	1-1/4" Go/No Go Crimp Guage
___ QGA7	1-1/2" Go/No Go Crimp Guage
___ QCRBTKIT	3/8", 1/2", 3/4", and 1" Battery Powered Crimp Tool Kit
___ QCRBTKIT56	1" and 1-1/4" Battery Powered Crimp Tool Kit
___ QBJ6	1-1/4" Crimp Head
___ QBJ7	1-1/2" Crimp Head

Rev. A	Date: 6/20/08	C.N. No. 98668
Dwg. No. 67339		Prod. No. QCR_X

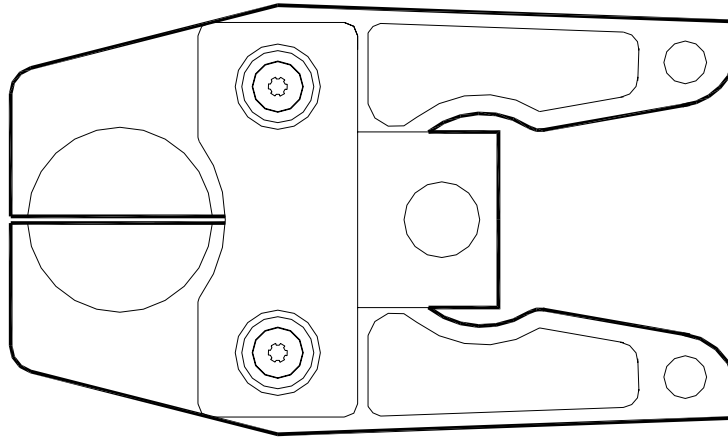


Large Diameter Crimp Heads - QBJ_

Specification Sheet

Tag _____

Dimensional Data: Inches and [mm] are subject to manufacturing tolerances and change without notice.



Part Number	Description
QBJ6	1-1/4" Crimp Head
QBJ7	1-1/2" Crimp Head

Engineering Specification: ZurnPEX™ Large Diameter Crimp Heads. QBJ_ are individual crimp jaws are used for 1-1/4" and 1-1/2" Qick/Sert 1™ crimp fittings and annealed copper crimp rings. When used with the Battery Powered Crimp Tool (QCRBTKIT__), the necessary force needed to make a leak-free crimp connection is applied to the large diameter copper crimp ring.

Accessories

- ___ QCRBTKIT Battery Powered Crimp Tool Kit with 3/8", 1/2", 3/4", and 1" Crimp Head
- ___ QCRBTKIT56 Battery Powered Crimp Tool Kit with 1" and 1-1/4" Crimp Head

Rev.	Date: 08/25/08	C.N. No.99008
Dwg. No. 83885		Prod. No. QBJ_

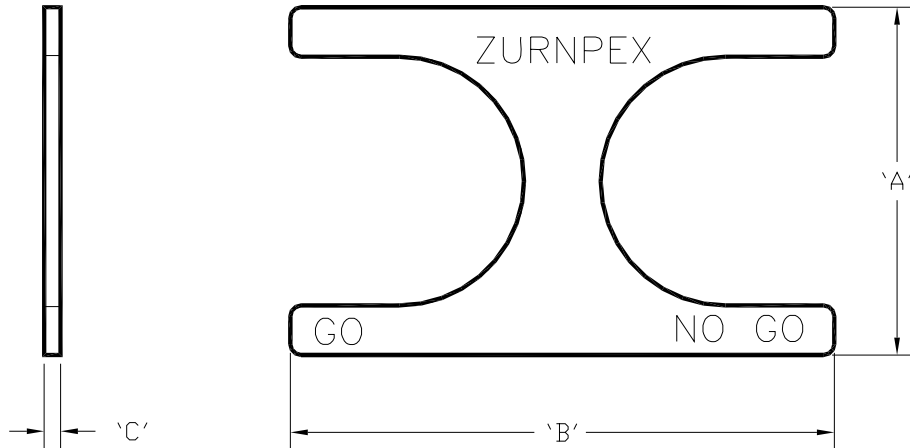


Go/No Go Crimp Gauge— QGA

Specification Sheet

Tag _____

Dimensional Data: Inches and [mm] are subject to manufacturing tolerances and change without notice.



Part Number	Description	'A'	'B'	'C'
QGA5N	1" Go/No Go Copper Crimp Gauge	1.63" [41.3]	2.88" [73.0]	0.09" [2.2]
QGA6	1-1/4" Go/No Go Copper Crimp Gauge	2.00" [50.8]	3.12" [79.2]	0.09" [2.2]
QGA7	1-1/2" Go/No Go Copper Crimp Gauge	2.25" [57.2]	3.75" [95.3]	0.09" [2.2]

Engineering Specification: Zurn® Go/No Go crimp gauges. The Go/No Go crimp gauges are used to check 1", 1-1/4", and 1-1/2" copper crimps.

Accessories

- ___ QCR5X 1" Copper Crimp Ring
- ___ QCR6X 1-1/4" Copper Crimp Ring
- ___ QCR7X 1-1/2" Copper Crimp Ring

Rev.	Date: 08/25/08	C.N. No.99009
Dwg. No.83886		Prod. No. QGA_