



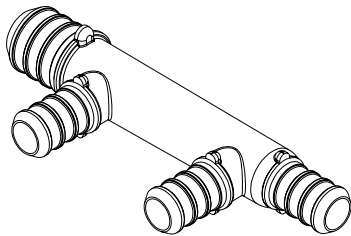
QickSert CR™ Manifold, 3/4" Inlet x 1/2" Outlets- ZNPA192

New Product Announcement

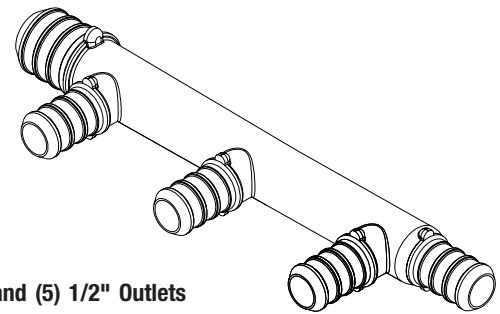
October 2008

Zurn proudly introduces its new QickSert CR™ Manifold System. These manifolds are used to distribute fluid for plumbing systems. This style of manifold has (1) 3/4" PEX crimp inlet and 1/2" PEX crimp outlets. The dropoutlets are on 1.75" centers. They are available with 3, 4, or 5 outlets and molded from Acudel®. These manifolds can be used to distribute water from the manifold to an endpoint in a home run plumbing system, for hot or cold water distribution.

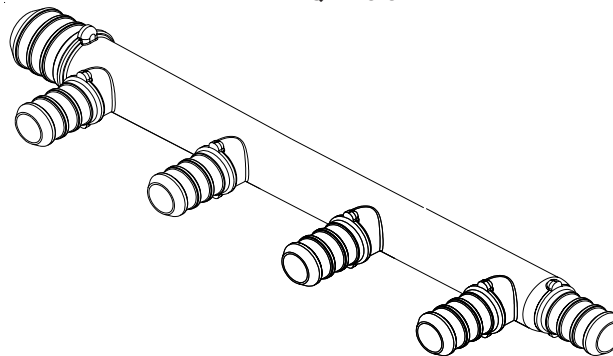
**QickSert CR™ Manifold with 3/4" Inlet, and (3) 1/2" Outlets
QPM43-3**



**QickSert CR™ Manifold with 3/4" Inlet, and (4) 1/2" Outlets
QPM43-4**



**QickSert CR™ Manifold with 3/4" Inlet, and (5) 1/2" Outlets
QPM43-5**



QickSert CR™ Manifolds with 3/4" Inlet and 1/2" Outlets				
Catalog No.	Description	List Price Ea. (USD)	Availability	Category
QPM43-3	(1) 3/4" PEX Crimp Inlets w/ (3) 1/2" PEX Crimp Outlets	\$10.50	In Stock	28
QPM43-4	(1) 3/4" PEX Crimp Inlets w/ (4) 1/2" PEX Crimp Outlets	\$15.25	In Stock	28
QPM43-5	(1) 3/4" PEX Crimp Inlets w/ (5) 1/2" PEX Crimp Outlets	\$23.30	In Stock	28

See the attached product information for specific details:

Attachment 1: QPM43- _ QickSert CR™ Manifold with (1) 3/4" PEX Inlet and 1/2" PEX Outlets Specification Sheet

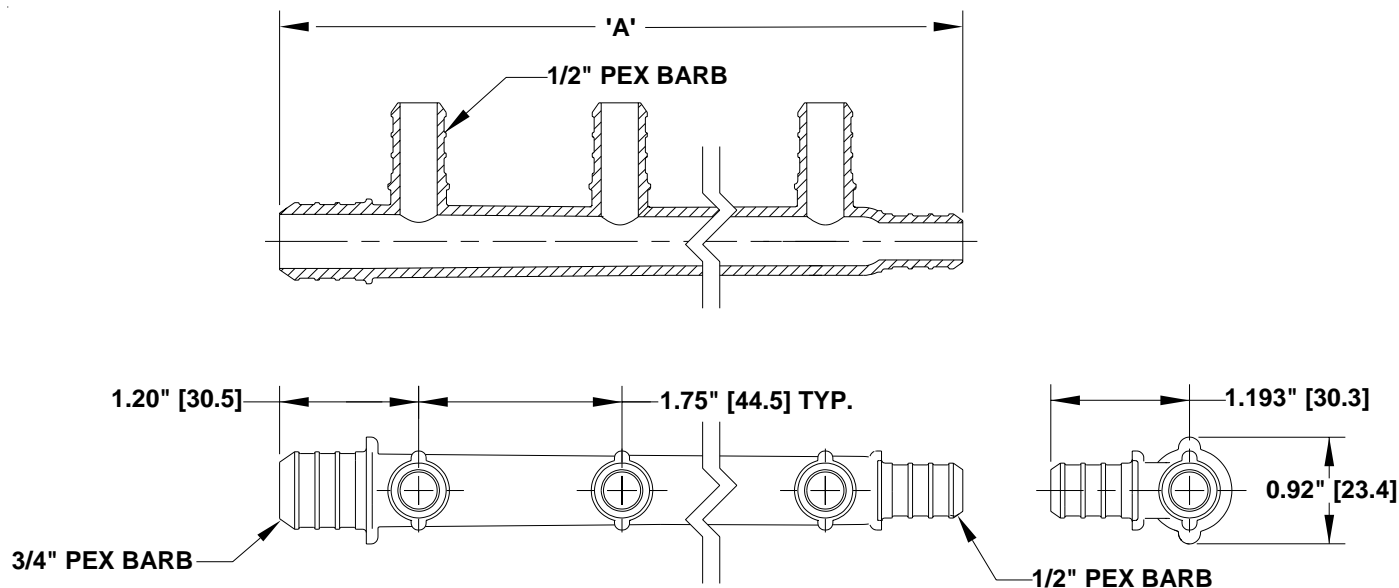
Contact your local distributor or sales representative for additional information



QuickSert CR™ Manifold, 3/4" Inlet x 1/2" Outlets – QPM43- Specification Sheet

Tag _____

Dimensional Data: Inches and [mm] are subject to manufacturing tolerances and change without notice.



Part Number	Description	'A'
QPM43-3	(1) 3/4" PEX Crimp Inlets w/ (3) 1/2" PEX Crimp Outlets	4.13" [104.9]
QPM43-4	(1) 3/4" PEX Crimp Inlets w/ (4) 1/2" PEX Crimp Outlets	5.85" [148.6]
QPM43-5	(1) 3/4" PEX Crimp Inlets w/ (5) 1/2" PEX Crimp Outlets	7.56" [192.0]

Engineering Specification: ZurnPEX™ QuickSert CR™ Manifolds. The QPM43_ manifold is used to supply different fixtures from a main line. Molded from Acudel®. These manifolds, as a system with Zurn PEX tube, are pressure rated at 160 PSI at 73°F, 100 PSI at 180°F, and 80 PSI at 200°F. These manifolds are listed by NSF as complying with the following standards: NSF/ANSI Standard 14, NSF/ANSI Standard 61, ASTM F877, and CSA B137.5, and ASTM F2159.

Accessories

- ___ **QCLP3X** 1/2" QuickClamp® Crimp Ring
- ___ **QCCL4X** 3/4" QuickClamp® Crimp Ring
- ___ **QCR3X** 1/2" Copper Crimp Ring
- ___ **QCR4X** 3/4" Copper Crimp Ring

Rev.	Date: 10/17/08	C.N. No.99213
Dwg. No. 83959		Prod. No. QPM43- _____