



2" Large Diameter Fitting System - ZNPA194

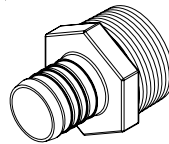
New Product Announcement

January 2008

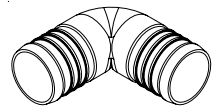
Zurn® has recently added 2" DZR brass fittings to the product line. These fittings are intended for 2" diameter ZurnPEX tubing. The fitting system is comprised of couplings, thread x barb adapters, sweat x barb adapters, elbows, tees, and plugs. The couplings can be used to repair damaged tubing or transition to different tube sizes. The threaded adapters are used to transition from PEX to a female NPT thread. The sweat adapters are used to transition from PEX to copper tubing. Elbows are used to make 90° bends that are tighter than the recommended bend. The tee fittings are used to branch off a main line or reduce a main line to a smaller branch line. The product offering includes the following items:



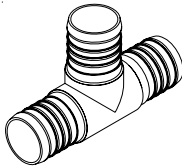
QQC_DZX



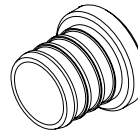
QQMC_DZX



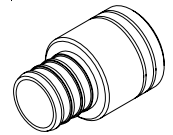
QQE_DZX



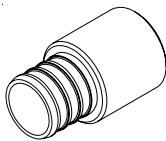
QQT_DZX



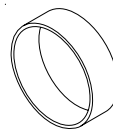
QQP_DZX



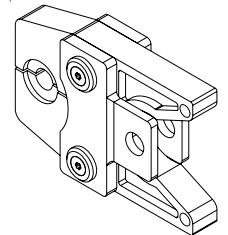
QQ_DZX



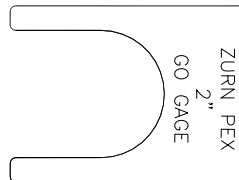
QQ_DZX



QCR_X



*QBJ_X



QGA8

* See submittal note for jaw compatibility

Contact your local distributor or sales representative for additional information



2" Large Diameter Fitting System - ZNPA194 New Product Announcement

January 2008

List Pricing Sheet

Part Number	Description	List Price (Per Piece)	Bag Qty	Availability	Category
QQT866DZX	2" Barb x 1-1/4" Barb x 1-1/4" Barb Tee	\$81.78	5	February 2009	12
QQT874DZX	2" Barb x 1-1/2" Barb x 3/4" Barb Tee	\$90.54	5	Available	12
QQT875DZX	2" Barb x 1-1/2" Barb x 1" Barb Tee	\$92.87	5	Available	12
QQT876DZX	2" Barb x 1-1/2" Barb x 1-1/4" Barb Tee	\$94.04	5	Available	12
QQT877DZX	2" Barb x 1-1/2" Barb x 1-1/2" Barb Tee	\$95.21	5	Available	12
QQT883DZX	2" Barb x 2" Barb x 1/2" Barb Tee	\$91.71	5	February 2009	12
QQT884DZX	2" Barb x 2" Barb x 3/4" Barb Tee	\$92.64	5	Available	12
QQT885DZX	2" Barb x 2" Barb x 1" Barb Tee	\$93.06	5	Available	12
QQT886DZX	2" Barb x 2" Barb x 1-1/4" Barb Tee	\$93.06	5	Available	12
QQT887DZX	2" Barb x 2" Barb x 1-1/2" Barb Tee	\$93.11	5	Available	12
QQT888DZX	2" Barb x 2" Barb x 2" Barb Tee	\$93.34	5	Available	12
QQE88DZX	2" Barb x 2" Barb Elbow	\$50.37	5	Available	12
QQC85DZX	2" Barb x 1" Barb Coupling	\$28.90	5	Available	12
QQC86DZX	2" Barb x 1-1/4" Barb Coupling	\$29.79	5	February 2009	12
QQC87DZX	2" Barb x 1-1/2" Barb Coupling	\$29.79	5	Available	12
QQC88DZX	2" Barb x 2" Barb Coupling	\$30.09	5	Available	12
QQP8DZX	2" Barb Plug	\$25.70	5	Available	12
QQ1050DZX	2" Female Sweat x 2" PEX Barb	\$41.07	5	Available	12
QQ905DZX	1-1/2" Male Sweat x 2" PEX Barb	\$35.65	5	Available	12
QQ975DZX	2" Male Sweat x 2" PEX Barb	\$39.14	5	February 2009	12
QQMC88DZX	2" Barb x 2" MPT Adapter	\$58.76	5	Available	12
QCR8X	2" Copper Crimp Ring	\$4.09	50	Available	18
QBJ8	2" Crimp Head	\$470.00	EACH	Available	13
QGA8	2" Copper Crimp Gauge	\$11.20	EACH	Available	13
Q8PS20X	2" Nominal PEX Tube-20' Straight Length	\$150.00	EACH	Available	1
Q8PC100X	2" Nominal PEX Tube-100' Coil	\$750.00	EACH	Available	1

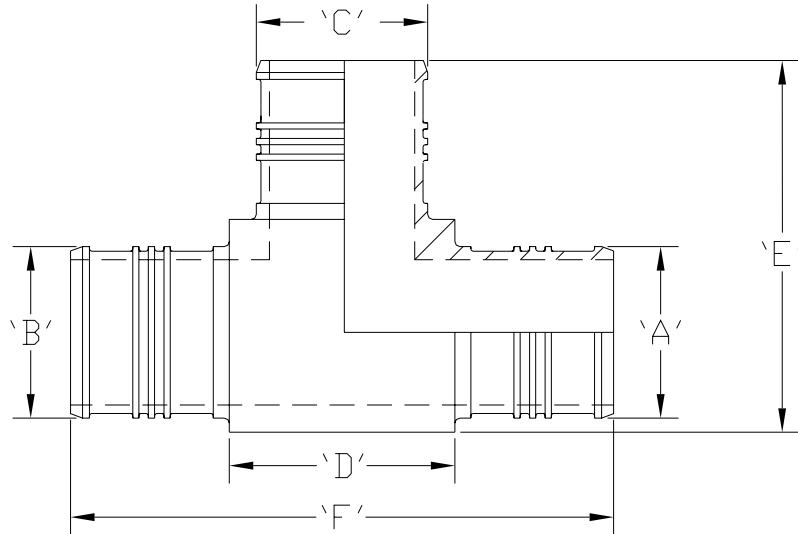
Contact your local distributor or sales representative for additional information



2" DZR Brass Tee QQT___DZX Specification Sheet

Tag _____

Dimensional Data: Inches and [mm] are subject to manufacturing tolerances and change without notice.



Part Number	Description	'A'	'B'	'C'	'D'	'E'	'F'
QQT866DZX	2" Barb x 1-1/4" Barb x 1-1/4" Barb Tee	1.602" [40.7]	1.045" [26.5]	1.045" [26.5]	1.50" [38.1]	3.09" [78.5]	4.15" [105.4]
QQT874DZX	2" Barb x 1-1/2" Barb x 3/4" Barb Tee	1.602" [40.7]	1.233" [31.3]	0.667" [16.9]	0.88" [22.3]	2.57" [65.3]	3.53" [89.7]
QQT875DZX	2" Barb x 1-1/2" Barb x 1" Barb Tee	1.602" [40.7]	1.233" [31.3]	0.856" [21.7]	1.13" [28.7]	2.74" [69.6]	3.78" [96.0]
QQT876DZX	2" Barb x 1-1/2" Barb x 1-1/4" Barb Tee	1.602" [40.7]	1.233" [31.3]	1.045" [26.5]	1.50" [38.1]	3.09" [78.5]	4.15" [105.4]
QQT877DZX	2" Barb x 1-1/2" Barb x 1-1/2" Barb Tee	1.602" [40.7]	1.233" [31.3]	1.233" [31.3]	1.75" [44.5]	3.09" [78.5]	4.40" [111.8]
QQT883DZX	2" Barb x 2" Barb x 1/2" Barb Tee	1.602" [40.7]	1.602" [40.7]	0.471" [12.0]	0.63" [16.0]	2.53" [64.3]	3.63" [92.2]
QQT884DZX	2" Barb x 2" Barb x 3/4" Barb Tee	1.602" [40.7]	1.602" [40.7]	0.667" [16.9]	0.88" [22.3]	2.57" [65.3]	3.88" [98.6]
QQT885DZX	2" Barb x 2" Barb x 1" Barb Tee	1.602" [40.7]	1.602" [40.7]	0.856" [21.7]	1.13" [28.7]	2.74" [69.6]	4.13 [104.9]
QQT886DZX	2" Barb x 2" Barb x 1-1/4" Barb Tee	1.602" [40.7]	1.602" [40.7]	1.045" [26.5]	1.50" [38.1]	3.09" [78.5]	4.50" [114.3]
QQT887DZX	2" Barb x 2" Barb x 1-1/2" Barb Tee	1.602" [40.7]	1.602" [40.7]	1.233" [31.3]	1.75" [44.5]	3.09" [78.5]	4.75" [120.7]
QQT888DZX	2" Barb x 2" Barb x 2" Barb Tee	1.602" [40.7]	1.602" [40.7]	1.602" [40.7]	2.20" [55.9]	3.44" [87.4]	5.20" [132.1]

Engineering Specification: ZurnPEX™ 2" DZR brass barb tee. The QQT___DZX is used to branch off the main line or change direction. Large diameter fittings are made with dezincification resistant brass. These fittings, as a system with Zurn PEX tubing, are pressure rated at 160 PSI at 73°F, 100 PSI at 180°F, and 80 PSI at 200°F. These fittings are listed by NSF as complying with the following standards: NSF/ANSI Standard 14, NSF/ANSI Standard 61, ASTM F877, and CSA B137.5.

Accessories

- ___ **QCLP3X** 1/2" QuickClamp Crimp Ring
- ___ **QCLP4X** 3/4" QuickClamp Crimp Ring
- ___ **QCLP5X** 1" QuickClamp Crimp Ring
- ___ **QCR3X** 1/2" Copper Crimp Ring
- ___ **QCR4X** 3/4" Copper Crimp Ring
- ___ **QCR5X** 1" Copper Crimp Ring
- ___ **QCR6X** 1-1/4" Copper Crimp Ring
- ___ **QCR7X** 1-1/2" Copper Crimp Ring
- ___ **QCR8X** 2" Copper Crimp Ring

Rev.	Date: 11/14/08	C.N. No. 99380
Dwg. No. 84020	Prod. No. QQT___DZX	

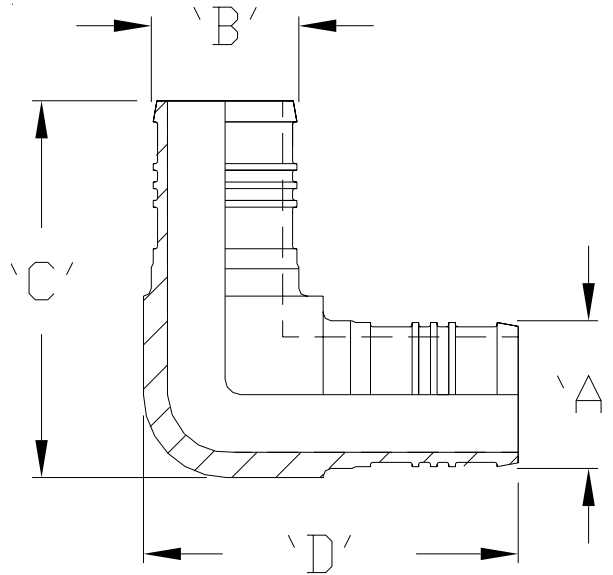


2" DZR Brass Elbow QQE__DZX

Specification Sheet

Tag _____

Dimensional Data: Inches and [mm] are subject to manufacturing tolerances and change without notice.



Part Number	Description	'A'	'B'	'C'	'D'
QQE88DZX	2" Barb x 2" Barb Elbow	1.602" [40.7]	1.602" [40.7]	3.44" [87.4]	3.44" [87.4]

Engineering Specification: ZurnPEX™ 2" DZR brass barb elbow. The QQE__DZX is used to make sharp 90° bends. Large diameter fittings are made with dezincification resistant brass. These fittings, as a system with Zurn PEX tubing, are pressure rated at 160 PSI at 73°F, 100 PSI at 180°F, and 80 PSI at 200°F. These fittings are listed by NSF as complying with the following standards: NSF/ANSI Standard 14, NSF/ANSI Standard 61, ASTM F877, and CSA B137.5.

Accessories

___ **QCR8X** 2" Copper Crimp Ring

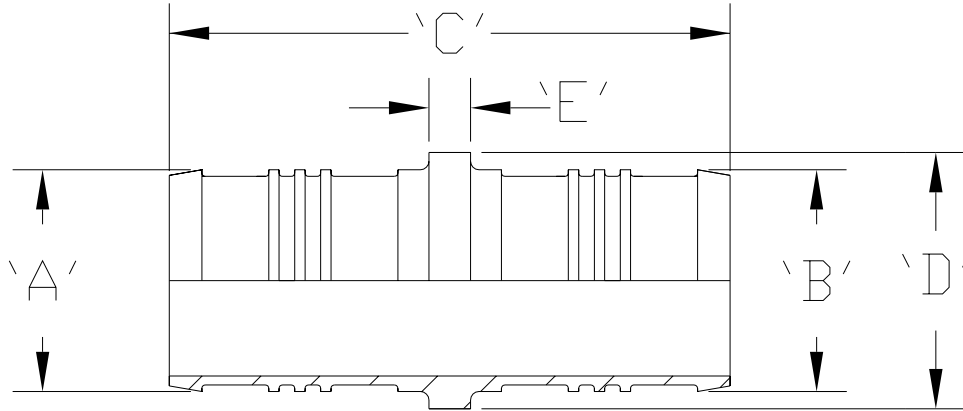
Rev.	Date: 11/14/08	C.N. No.99381
Dwg. No. 84021	Prod. No. QQE__DZX	



2" DZR Brass Coupling QQC__DZX Specification Sheet

Tag _____

Dimensional Data: Inches and [mm] are subject to manufacturing tolerances and change without notice.



Part Number	Description	'A'	'B'	'C'	'D'	'E'
QQC85DZX	2" Barb x 1" Barb Coupling	1.602" [40.7]	0.856" [21.7]	2.67" [67.8]	1.68" [42.7]	0.37" [9.4]
QQC86DZX	2" Barb x 1-1/4" Barb Coupling	1.602" [40.7]	1.045" [26.5]	3.02" [76.7]	1.68" [42.7]	0.37" [9.4]
QQC87DZX	2" Barb x 1-1/2" Barb Coupling	1.602" [40.7]	1.233" [31.3]	3.02" [76.7]	1.68" [42.7]	0.37" [9.4]
QQC88DZX	2" Barb x 2" Barb Coupling	1.602" [40.7]	1.602" [40.7]	3.37" [85.6]	1.68" [42.7]	0.37" [9.4]

Engineering Specification: ZurnPEX™ 2" DZR brass barb coupling. The QQC__DZX is used to connect two separate pieces of PEX tubing. Large diameter fittings are made with dezincification resistant brass. These fittings, as a system with Zurn PEX tubing, are pressure rated at 160 PSI at 73°F, 100 PSI at 180°F, and 80 PSI at 200°F. These fittings are listed by NSF as complying with the following standards: NSF/ANSI Standard 14, NSF/ANSI Standard 61, ASTM F877, and CSA B137.5.

Accessories

- ___ **QCLP5X** 1" QuickClamp Ring
- ___ **QCR5X** 1" Copper Crimp Ring
- ___ **QCR6X** 1-1/4" Copper Crimp Ring
- ___ **QCR7X** 1-1/2" Copper Crimp Ring
- ___ **QCR8X** 2" Copper Crimp Ring

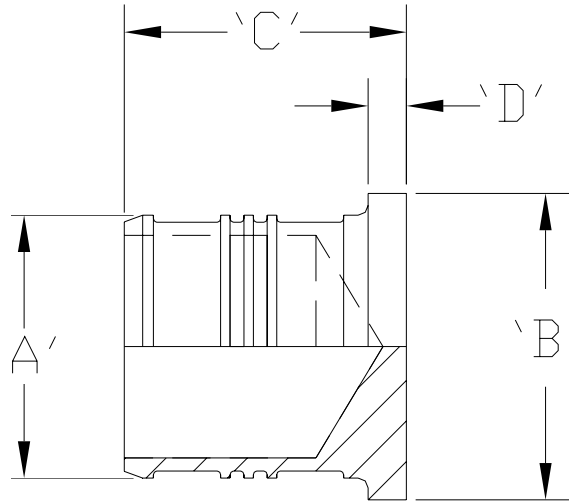
Rev.	Date: 11/14/08	C.N. No.99382
Dwg. No. 84022	Prod. No. QQC__DZX	



2" DZR Brass Plug QQP_DZX Specification Sheet

Tag _____

Dimensional Data: Inches and [mm] are subject to manufacturing tolerances and change without notice.



Part Number	Description	'A'	'B'	'C'	'D'
QQP8DZX	2" Barb Plug	1.602" [40.7]	1.68" [42.7]	1.87" [47.5]	0.37" [9.4]

Engineering Specification: ZurnPEX™ 2" DZR brass plug. The QQP_DZX allows for pressure testing of the system. Large diameter fittings are made with dezincification resistant brass. These fittings, as a system with Zurn PEX tubing, are pressure rated at 160 PSI at 73°F, 100 PSI at 180°F, and 80 PSI at 200°F. These fittings are listed by NSF as complying with the following standards: NSF/ANSI Standard 14, NSF/ANSI Standard 61, ASTM F877, and CSA B137.5.

Accessories

___ QCR8X 2" Copper Crimp Ring

Rev.	Date: 11/14/08	C.N. No. 99383
Dwg. No. 84023		Prod. No. QQP_DZX

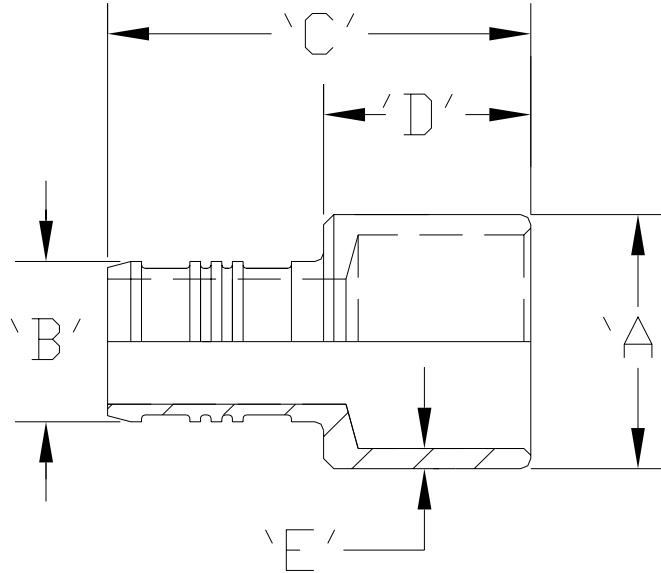


2" DZR Brass Female Sweat X PEX Adapter QQ__DZX

Specification Sheet

Tag _____

Dimensional Data: Inches and [mm] are subject to manufacturing tolerances and change without notice.



Part Number	Description	'A'	'B'	'C'	'D'	'E'
QQ1050DZX	2" Female Sweat x 2" PEX Barb	2.37" [60.2]	1.602" [40.7]	2.97" [75.4]	1.47" [37.3]	0.12" [3.0]

Engineering Specification: ZurnPEX™ 2" DZR brass female sweat x ZurnPEX adapter. The QQ__DZX adapter solders directly to copper tubing. The outer diameter of the QQ__X contains two grooves for easy identification. Large diameter fittings are made with dezincification resistant brass. These fittings, as a system with Zurn PEX tubing, are pressure rated at 160 PSI at 73°F, 100 PSI at 180°F, and 80 PSI at 200°F. These fittings are listed by NSF as complying with the following standards: NSF/ANSI Standard 14, NSF/ANSI Standard 61, ASTM F877, and CSA B137.5.

Accessories

___ QCR8X 2" Copper Crimp Ring

Rev.	Date: 11/14/08	C.N. No. 99384
Dwg. No. 84024	Prod. No. QQ__DZX	

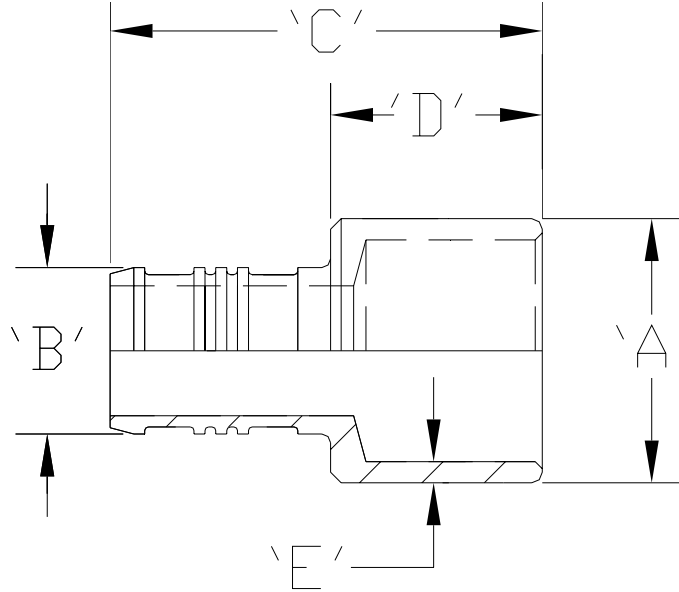


2" DZR Brass Male Sweat X PEX Adapter QQ__DZX

Specification Sheet

Tag _____

Dimensional Data: Inches and [mm] are subject to manufacturing tolerances and change without notice.



Part Number	Description	'A'	'B'	'C'	'D'	'E'
QQ905DZX	1-1/2" Male Sweat x 2" PEX Barb	1.62" [41.1]	1.602" [40.7]	3.03" [77.0]	1.16" [29.5]	0.10" [2.5]
QQ975DZX	2" Male Sweat x 2" PEX Barb	2.12" [53.9]	1.602" [40.7]	3.10" [78.7]	1.60" [40.6]	0.12" [3.0]

Engineering Specification: ZurnPEX™ 2" DZR brass male sweat x ZurnPEX adapters. The QQ__DZX adapter is made to fit inside a wrought copper fitting. Large diameter fittings are made with dezincification resistant brass. These fittings, as a system with Zurn PEX tubing, are pressure rated at 160 PSI at 73°F, 100 PSI at 180°F, and 80 PSI at 200°F. These fittings are listed by NSF as complying with the following standards: NSF/ANSI Standard 14, NSF/ANSI Standard 61, ASTM F877, and CSA B137.5.

Accessories

___ **QCR8X** 2" Copper Crimp Ring

Rev.	Date: 11/14/08	C.N. No.99385
Dwg. No. 84025		Prod. No. QQ__DZX

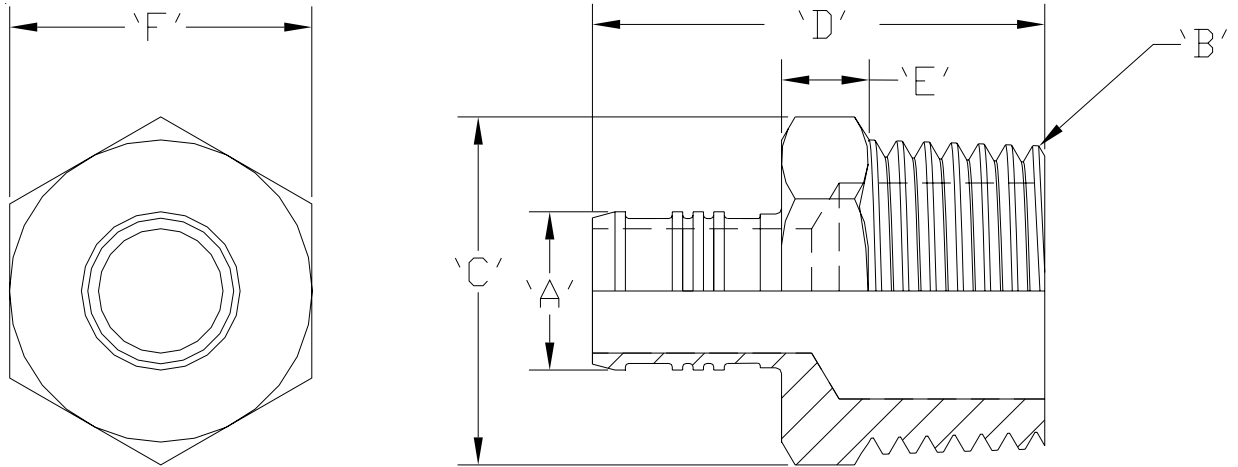


2" DZR Brass MPT x PEX Adapter QQMC__DZX

Specification Sheet

Tag _____

Dimensional Data: Inches and [mm] are subject to manufacturing tolerances and change without notice.



Part Number	Description	'A'	'B'	'C'	'D'	'E'	'F'
QQMC88DZX	2" Barb x 2" MPT Adapter	1.602" [40.7]	2" NPT	2.82" [71.6]	3.06" [77.7]	0.50" [12.7]	2.44" [62.0]

Engineering Specification: ZurnPEX™ 2" DZR brass MPT adapter. The QQMC__DZX is used transition from female pipe thread to PEX tubing. Large diameter fittings are made with dezincification resistant brass. These fittings, as a system with Zurn PEX tubing, are pressure rated at 160 PSI at 73°F, 100 PSI at 180°F, and 80 PSI at 200°F. These fittings are listed by NSF as complying with the following standards: NSF/ANSI Standard 14, NSF/ANSI Standard 61, ASTM F877, and CSA B137.5.

Accessories

___ **QCR8X** 2" Copper Crimp Ring

Rev.	Date: 11/14/08	C.N. No. 99386
Dwg. No. 84026		Prod. No. QQMC__DZX

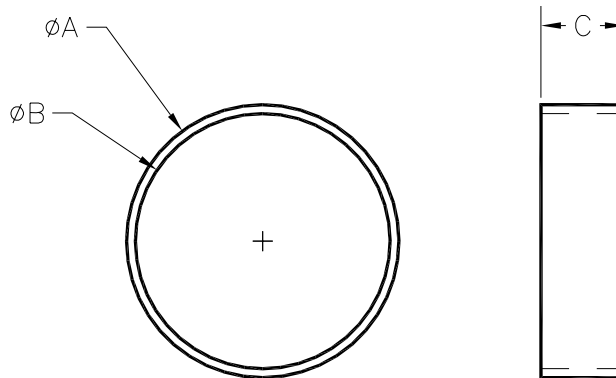


Annealed Copper Crimp Ring QCR_X

Specification Sheet

Tag _____

Dimensional Data: Inches and [mm] are subject to manufacturing tolerances and change without notice.



Part Number	Description	Nominal Size	'A'	'B'	'C'
QCR2X	3/8" Copper Crimp Ring	3/8"	0.63" [16]	0.51" [13]	0.33" [8]
QCR3X	1/2" Copper Crimp Ring	1/2"	0.75" [19]	0.64" [16]	0.33" [8]
QCR4X	3/4" Copper Crimp Ring	3/4"	1.00" [25]	0.89" [22]	0.33" [8]
QCR5X	1" Copper Crimp Ring	1"	1.25" [32]	1.15" [29]	0.37" [8]
QCR6X	1-1/4" Copper Crimp Ring	1-1/4"	1.50" [38]	1.39" [35]	0.55" [14]
QCR7X	1-1/2" Copper Crimp Ring	1-1/2"	1.78" [45]	1.71" [43]	0.65" [17]
QCR8X	2" Copper Crimp Ring	2"	2.30" [58]	2.23" [57]	0.75" [19]

Engineering Specification: ZurnPEX™ annealed copper crimp ring. Used to secure ZurnPEX™ tubing to Zurn® Qick/Sert 1™ and QickSert CR™ fittings.

Accessories

___ QCRT2CM	3/8" Medium Crimp Tool
___ QCRT3CM	1/2" Medium Crimp Tool
___ QCRT4CM	3/4" Medium Crimp Tool
___ QCRT2T	3/8" Large Crimp Tool
___ QCRT3T	1/2" Large Crimp Tool
___ QCRT4T	3/4" Large Crimp Tool
___ QCRT5T	1" Large Crimp Tool
___ QCQT23N	3/8" and 1/2" Close Quarters Crimp Tool
___ QCQT34N	1/2" and 3/4" Close Quarters Crimp Tool
___ QGA234P	3/8", 1/2", 3/4" Go/No Go Crimp Guage
___ QGA5N	1" Go/No Go Crimp Guage
___ QGA6	1-1/4" Go/No Go Crimp Guage
___ QGA7	1-1/2" Go/No Go Crimp Guage
___ QGA8	2" Go Crimp Guage
___ QCRBTKIT	3/8", 1/2", 3/4", and 1" Battery Powered Crimp Tool Kit
___ QCRBTKIT56	1" and 1-1/4" Battery Powered Crimp Tool Kit
___ QBJ6	1-1/4" Crimp Head
___ QBJ7	1-1/2" Crimp Head
___ QBJ8	2" Crimp Head

Rev. A	Date: 6/20/08	C.N. No. 98668
Dwg. No. 67518		Prod. No. QCR_X

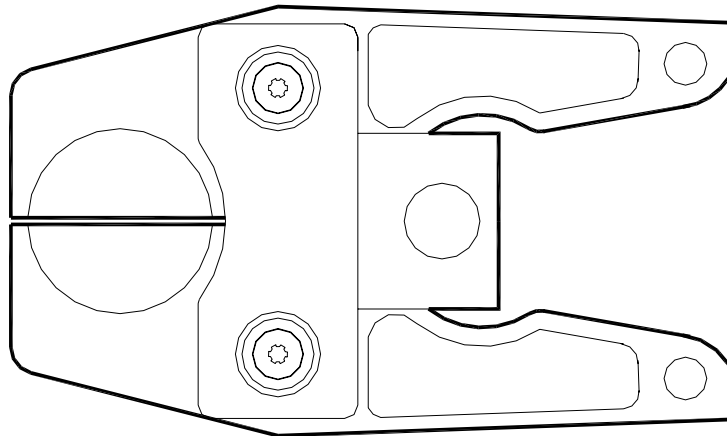


Large Diameter Crimp Heads - QBJ_

Specification Sheet

Tag _____

Dimensional Data: Inches and [mm] are subject to manufacturing tolerances and change without notice.



Part Number	Description
QBJ6	1-1/4" Crimp Head
QBJ7	1-1/2" Crimp Head
QBJ8	2" Crimp Head

Engineering Specification: ZurnPEX™ Large Diameter Crimp Heads. QBJ_ are individual crimp jaws used for 1-1/4", 1-1/2", and 2" Qick/Sert 1™ crimp fittings and annealed copper crimp rings. When used with the Battery Powered Crimp Tool (QCRBTKIT___), the necessary force needed to make a leak-free crimp connection is applied to the large diameter copper crimp ring.

Accessories

- ___ QCRBTKIT Battery Powered Crimp Tool Kit with 3/8", 1/2", 3/4", and 1" Crimp Head
- ___ QCRBTKIT56 Battery Powered Crimp Tool Kit with 1" and 1-1/4" Crimp Head

Compatible with the following Standard Tools:

- ___ RIDGID 330-B
- ___ Stanley P204
- ___ Nibco PC100
- ___ Rothenberger ROMAX

Rev. A	Date: 11/24/08	C.N. No. 99419
Dwg. No. 83885		Prod. No. QBJ_

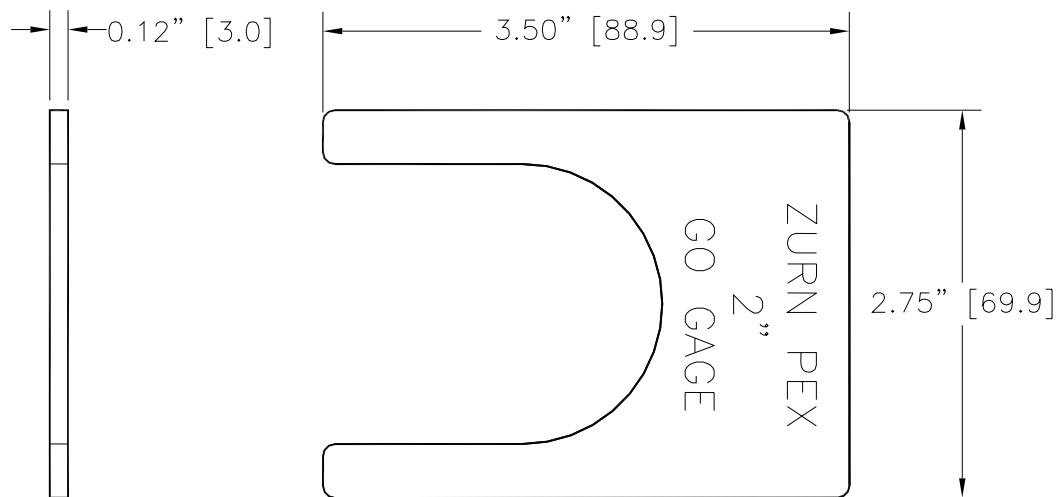


2" Go Crimp Gauge– QGA8

Specification Sheet

Tag _____

Dimensional Data: Inches and [mm] are subject to manufacturing tolerances and change without notice.



Engineering Specification: Zurn® Go crimp gauge. The Go crimp gauge is used to check 2" copper crimps.

Accessories

___ QCR8X 2" Copper Crimp Ring

Rev. 84035	Date: 11/24/08	C.N. No. 99420
Dwg. No. 84035		Prod. No. QGA8